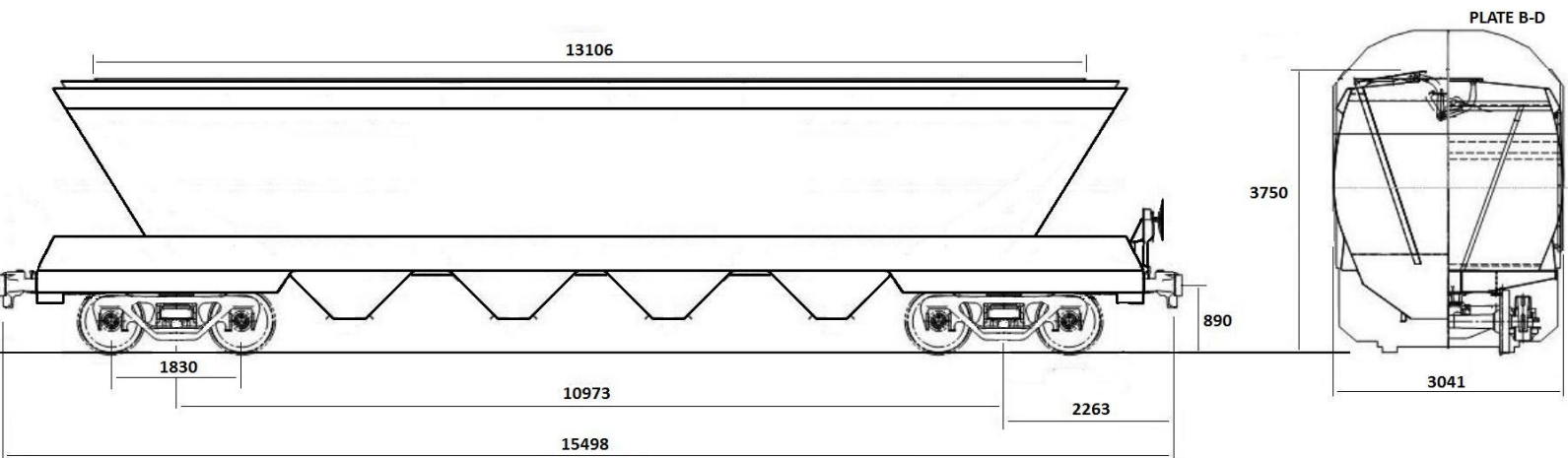




Class	CGDY	Tare Weight	22.7 t
Wagon Type	Grain Hopper	Gross Mass	92.0 t
Previous Class	n/a	Capacity	69.3 t
TEU	n/a	Unit Length	15.5 m
Volume	92 m ³	Maximum Speed	100 km/h
Draw Capacity	2.05 MN	Deck Height	1085 mm
Discharge	Bottom Door	Rollingstock Outline	B



Parameters	Maximum product density	1.5 tm ³
	Minimum product granular size	0.5 mm